

# TEH 70 / TEH 100

EN

ORIGINAL INSTRUCTIONS  
ELECTRIC HEATER



**Table of contents**

**Information on the use of these instructions** ..... 2

**Safety** ..... 2

**Information about the device**..... 5

**Transport and storage**..... 6

**Assembly and installation**..... 6

**Operation** ..... 7

**Available accessories**..... 8

**Errors and faults**..... 8

**Maintenance** ..... 9

**Technical annex**..... 10

**Disposal** ..... 13

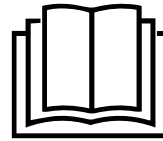
**Declaration of conformity** ..... 13



**Follow the manual**

Information marked with this symbol indicates that the instructions must be observed.

You can download the current version of these instructions via the following link:



TEH 70



<https://hub.trotec.com/?id=44020>

TEH 100



<https://hub.trotec.com/?id=44021>

**Information on the use of these instructions**

**Symbols**



**Warning of electrical voltage**

This symbol indicates dangers to the life and health of persons due to electrical voltage.



**Warning of hot surface**

This symbol indicates dangers to the life and health of persons due to hot surface.



**Warning**

This signal word indicates a hazard with an average risk level which, if not avoided, can result in serious injury or death.



**Caution**

This signal word indicates a hazard with a low risk level which, if not avoided, can result in minor or moderate injury.

**Notice**

This signal word indicates important information (e.g. material damage), but does not indicate hazards.



**Info**

Information marked with this symbol helps you to carry out your tasks quickly and safely.

**Safety**

**Read this manual carefully before starting or using the device. Always store the manual in the immediate vicinity of the device or its site of use.**



**Warning**

**Read all safety warnings and all instructions.**

Failure to follow the warnings and instructions may result in electric shock, fire and/or serious injury.

**Save all warnings and instructions for future reference.**

This appliance can be used by children aged from 8 years and above and persons with reduced physical, sensory or mental capabilities or lack of experience and knowledge if they have been given supervision or instruction concerning use of the appliance in a safe way and understand the hazards involved.

Children shall not play with the appliance. Cleaning and user maintenance shall not be done by children without supervision.



### Warning

Children of less than 3 years should be kept away from the device unless continuously supervised.

Children aged from 3 years and less than 8 years shall only switch on/off the appliance provided that it has been placed or installed in its intended normal operating position and they have been given supervision or instruction concerning use of the appliance in a safe way and understand the hazards involved.

Children aged from 3 years and less than 8 years shall not plug in, regulate and clean the appliance or perform user maintenance.



### Warning

Do not use the device in small rooms if persons are present who cannot leave the room independently and who are not under constant supervision.

- Do not use the device in potentially explosive rooms or areas and do not install it there.
- Do not use the device in an aggressive atmosphere.
- Place the device in an upright and stable position on horizontal and stable ground.
- Let the device dry out after a wet clean. Do not operate it when wet.
- Do not use the device with wet or damp hands.
- Do not expose the device to directly squirting water.
- Never insert any objects or limbs into the device.
- Do not cover the device during operation.
- Do not remove any safety signs, stickers or labels from the device. Keep all safety signs, stickers and labels in legible condition.
- Do not sit on the device.
- This appliance is not a toy. Keep away from children and animals.
- Check accessories and connection parts for possible damage prior to every use of the device. Do not use any defective devices or device parts.
- Ensure that all electric cables outside of the device are protected from damage (e.g. caused by animals). Never use the device if electric cables or the power connection are damaged!
- The mains connection must correspond to the specifications in the Technical annex.
- Insert the mains plug into a properly fused mains socket.
- Observe the device's power input, cable length and intended use when selecting extensions to the power cable. Completely unroll extension cables. Avoid electrical overload.

- Before carrying out maintenance, care or repair work on the device, remove the mains plug from the mains socket. Hold onto the mains plug while doing so.
- Switch the device off and disconnect the power cable from the mains socket when the device is not in use.
- Do not under any circumstances use the device if you detect damages on the mains plug or power cable. If the power cable is damaged, it must be replaced by the manufacturer, its service agent or similarly qualified persons in order to avoid a hazard. Defective power cables pose a serious health risk!
- When positioning the device, observe the minimum distances from walls and other objects as well as the storage and operating conditions specified in the Technical annex.
- Keep a safety distance of at least 1 m between the air inlet and the air outlet of the device and all combustible materials such as textiles, curtains, beds and sofas.
- Make sure that the air inlet and outlet are not obstructed.
- Do not place the device on combustible ground.
- Only use original spare parts, for otherwise safe and functional operation cannot be ensured.
- Allow the device to cool down before transport and/or maintenance work.
- The device must not be used with a programming switch, timer, separate remote control system or similar equipment that switches the device on automatically, as this could cause a fire hazard if the heater is covered or positioned incorrectly.
- Do not use the device if it has been dropped or if it shows visible signs of damage.

### Intended use

Use the device for heating closed rooms or dry outdoor areas whilst adhering to the technical data. Moreover, the device is suited for drying, defrosting and aeration.

Intended use comprises e.g. heating the air in:

- sheds and stables
- greenhouses
- winter construction sites

Intended use comprises e.g. defrosting machines or pipelines.

Any use other than the intended use is regarded as misuse.

### Reasonably foreseeable misuse

- Do not place any objects, e.g. clothing, on the device.
- Do not use this device in the vicinity of fuel, solvents, varnishes or other easily inflammable vapours or in rooms where these substances are stored.
- Never immerse the device in water.
- Do not use the device for heating in vehicles.
- Do not place the device on wet or flooded ground.
- The device may not be exposed to moisture or weather effects (rain, sunlight).
- Do not make any unauthorised modifications, alterations or structural changes to the device.
- Do not use the heating device in immediate vicinity of swimming pools, bathtubs and showers.

### Personnel qualification

People who use this device must:

- be aware of the dangers that occur when working with electric devices in damp areas.
- have read and understood the instructions, especially the Safety chapter.

Maintenance tasks which require the housing to be opened must only be carried out by specialist electrical companies or by the manufacturer.

### Electrically skilled person

Electrically skilled personnel must be able to read and understand electric circuit diagrams, to put electrical systems into service and to maintain them, to wire control cabinets, to ensure the functionality of electrical components and to identify possible hazards from electrical and electronic systems.

### Instructed person

Instructed persons have been informed of the tasks they were entrusted with as well as of potential hazards resulting from inappropriate behaviour. They are allowed to operate and transport the device and perform simple maintenance activities (cleaning the housing, cleaning the fan).

The device is to be maintained and looked after by instructed personnel.

### Residual risks



#### Warning of electrical voltage

Work on the electrical components must only be carried out by an authorised specialist company!



#### Warning of electrical voltage

Before any work on the device, remove the mains plug from the mains socket!  
Do not touch the mains plug with wet or damp hands. Hold onto the mains plug while pulling the power cable out of the mains socket.



#### Warning of electrical voltage

Risk of electric shock!  
Risk of an electric shock if the heating device comes into contact with water!



#### Warning of hot surface

Parts of this appliance can become very hot and cause burns. Particular attention is to be paid when there are children or vulnerable persons present!



#### Warning

Improper handling entails a risk of burning and electric shock.  
Only use the device as intended!



#### Warning

Dangers can occur at the device when it is used by untrained people in an unprofessional or improper way!  
Observe the personnel qualifications!



#### Warning

The device is not a toy and does not belong in the hands of children.



#### Warning

Risk of suffocation!  
Do not leave the packaging lying around. Children may use it as a dangerous toy.



#### Warning

Improper installation entails a risk of fire.  
Do not place the device on combustible ground.  
Do not place the device on high-pile carpets.



#### Warning

In order to avoid overheating and fire hazards, the device must not be covered!

## Behaviour in the event of an emergency

1. Switch the device off.
2. Disconnect the device from the mains: Hold onto the mains plug while pulling the power cable out of the mains socket.
3. Do not reconnect a defective device to the mains.

## Overheating protection

The device is provided with an overheating protection which is activated by exceeding the operating temperature of the device.

Once the overheating protection has tripped (6 overheating elements, one for each heating element), the respective heating element will switch off.

The fan keeps running if the overheating protection has tripped. When the respective heating element has cooled down, it will be switched back on.

### Notice

To prevent the overheating protection from tripping unintentionally, this devices must not be connected to a socket that can be switched off or that has an unstable power supply.



### Info

To provide additional protection, install a residual current device (RCD) with a nominal residual operating current not exceeding 30 mA.

To switch the device off, proceed as described in the *Switch the device off* chapter.

## Information about the device

### Device description

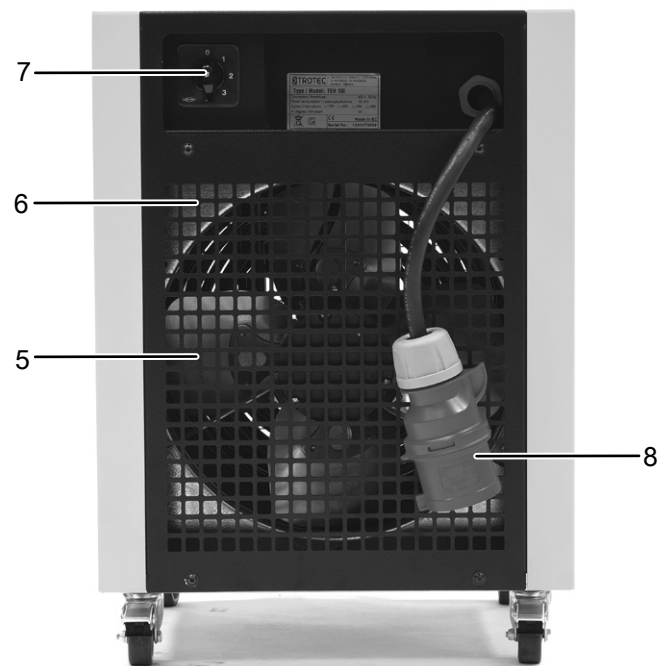
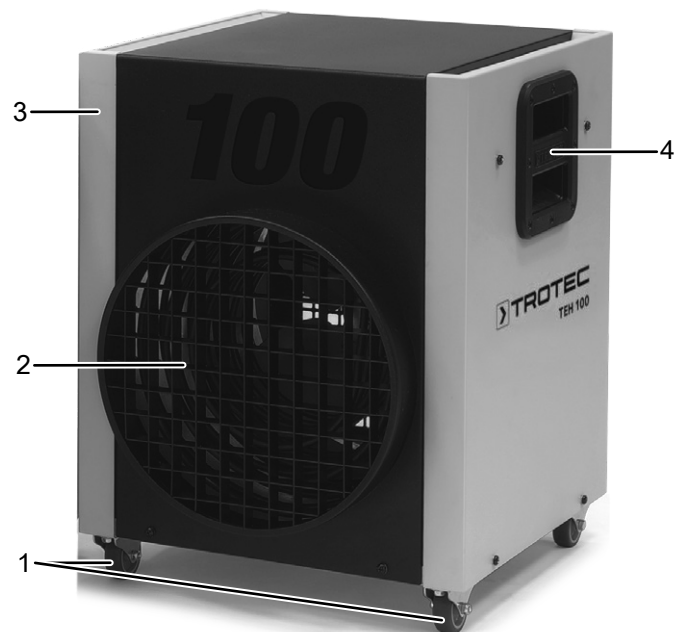
The device serves to generate and to distribute warm air, for speeding up drying processes and for defrosting frozen materials. It can be used either in closed rooms or in dry outdoor areas.

The heating element generates warmth. The air surrounding the heating element is heated. The heated air is distributed in the room by the fan. The integrated thermostat is equipped with a 3-stage temperature adjustment which allows to constantly keep the respective temperature level. The device is further equipped with an overheating protection.

The device is suitable for tough requirements and therefore suited for the use on construction sites (heating and construction drying), in greenhouses or other commercial areas, e.g. for drying earthenware. Besides, the device is suited for continuous operation.

The appliance is protected against spray water (IP13).

## Device depiction



No.	Designation
1	Wheels
2	Air outlet
3	Housing
4	Transport handle
5	Fan
6	Air inlet
7	Rotary switch <i>temperature</i>
8	Mains plug

## Transport and storage

### Notice

If you store or transport the device improperly, the device may be damaged.

Note the information regarding transport and storage of the device.

### Transport

To make the device easier to transport, it is fitted with wheels.

To make the device easier to transport, it is fitted with a carry handle.

**Before** transporting the device, observe the following:

- Switch the device off.
- Hold onto the mains plug while pulling the power cable out of the mains socket.
- Do not use the power cable to drag the device.
- Allow the device to cool down sufficiently.

### Storage

**Before** storing the device, proceed as follows:

- Hold onto the mains plug while pulling the power cable out of the mains socket.
- Stackable: up to 3 devices may be stacked on top of one another.
- Allow the device to cool down sufficiently.

When the device is not being used, observe the following storage conditions:

- Store the device in a dry location and protected from frost and heat.
- Store the device in an upright position where it is protected from dust and direct sunlight.
- If required, use a cover to protect the device from invasive dust.
- Place no further devices or objects on top of the device to prevent it from being damaged.

## Assembly and installation

### Scope of delivery

- 1 x Device
- 1 x Manual

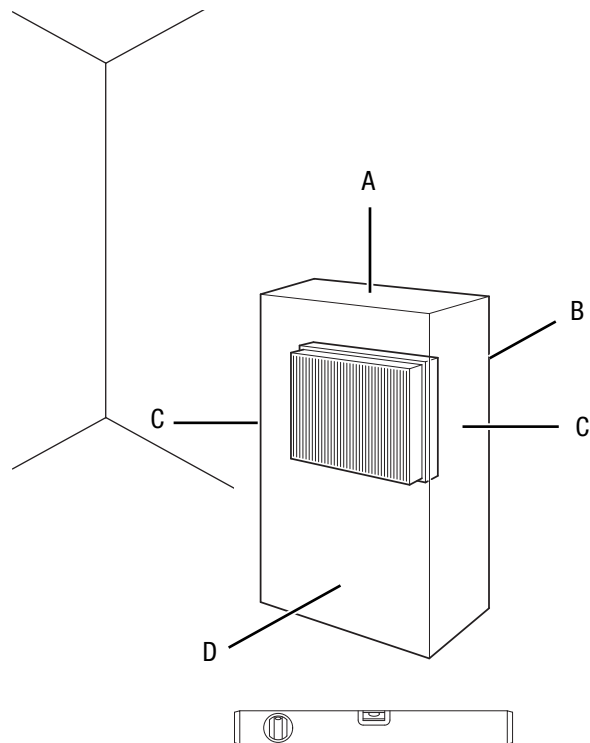
### Start-up



#### Info

Odours might arise upon initial start-up or after a longer period of non-use.

When positioning the device, observe the minimum distance from walls or other objects as described in the chapter Technical annex.



- Before starting the device, check the condition of the power cable. If there are doubts as to their sound condition, contact the customer service.
- The device may only be used in environments with no excessive formation of dust.
- Set the device up in an upright and stable position.
- Lock the wheels and secure the device against rolling away.
- Do not create tripping hazards when laying the power cable or other electric cables, especially when positioning the device in the middle of the room. Use cable bridges.
- Make sure that extension cables are completely unrolled.
- Make sure that no curtains or other objects interfere with the air flow.
- Make sure that the device cannot come into contact with moisture or water.

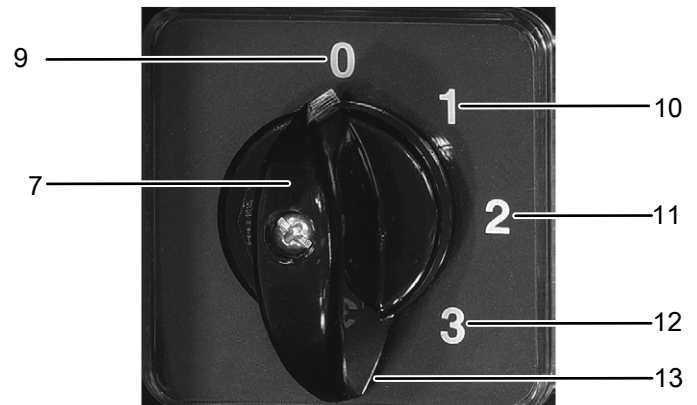
### Connecting the power cable

- Insert the mains plug into a properly fused mains socket.
- Make sure that the power cable is guided along the back of the device. Never guide the power cable along the front of the device!

### Operation

- Avoid open doors and windows.
- Stackable: up to 3 devices may be stacked on top of one another.

### Control panel



No.	Designation	Meaning
7	Rotary switch <i>temperature</i>	Switching the device on/off Setting the heating level
9	Position <b>0</b>	The device is switched off.
10	Position <b>1</b>	Aeration (no temperature increase)
11	Position <b>2</b>	Heating level 1
12	Position <b>3</b>	Heating level 2
13	Position <b>4</b>	Heating level 3

### Switching the device on

Once you have completely installed the device as described in the chapter Assembly and start-up, you can switch it on.

1. Set the rotary switch *temperature* (7) into the desired position switch the device on.

### Switching the device off

1. Set the rotary switch *temperature* (7) to **1** (10) where ventilation mode only is activated.
2. Keep the fan running until the device has cooled down.  
⇒ **Never pull the mains plug from the socket while the fan is running. The device may overheat.**
3. Set the rotary switch *temperature* (7) to **0** (9) to switch the device off.

### Shutdown



#### Warning of electrical voltage

Do not touch the mains plug with wet or damp hands.

1. Proceed as described in the *Switch the device off* chapter.
2. Clean the device according to the Maintenance chapter.
3. Store the device according to the Storage chapter.

## Available accessories



### Warning

Only use accessories and additional equipment specified in the instructions.  
Using insertion tools or accessories other than those specified in the instructions may cause a risk of injury.

Designation	Article number
Room thermostat	6.100.007.011

## Errors and faults

The device has been checked for proper functioning several times during production. If malfunctions occur nonetheless, check the device according to the following list.

### Notice

Wait for at least 3 minutes after maintenance and repair work. Only then switch the device back on.

### The device does not start:

- Check the power connection.
- Check the power cable and mains plug for damage. If you notice damages, do not try to take the device back into operation.  
If the supply cord is damaged, it must be replaced by the manufacturer, its service agent or similarly qualified persons in order to avoid a hazard.
- Check the on-site fusing.
- The motor might be defective. Have a defective motor replaced by a specialist electrical company.

### The device is switched on, the fan is operating, the heating is not:

- Check whether a heating level is selected.
- Check whether the overheating protection has tripped (see chapter Safety).
- The heating resistor might have blown. Have a defective heating resistor replaced by a specialist electrical company.
- The heating element may be defective. If the heating element is defective, have it replaced by a specialist electrical company.

### The fan is not running:

- Check whether the device is switched on.
- Check the power connection.
- Check the power cable and mains plug for damages.
- The fan motor might be defective. Have a defective fan motor replaced by a specialist electrical company.

### The device is loud or vibrates:

- Check whether the device is set up in a stable and upright position.
- Check the fan for dirt or damages.
- Have the motor checked by an authorised specialist company or by Trotec. There may be a bearing damage on the motor.
- Check the fan blades for dirt and clean them if required (see chapter Maintenance).
- If the fan blades are defective, have them replaced by a specialist company or by Trotec.

### The device still does not operate correctly after these checks:

Please contact the customer service. If necessary, bring the device to an authorised specialist electrical company or to the manufacturer for repair.



## Maintenance

## Maintenance intervals

Maintenance and care interval	before every start-up	as needed	at least every 2 weeks	at least every 4 weeks	at least every 6 months	at least annually
Check air inlets and outlets for dirt and foreign objects and clean if necessary	X					
Check air inlet grid(s) for dirt and foreign objects and clean if necessary	X		X			
Clean the exterior		X				X
Visually check the inside of the device for dirt		X		X		
Check for damage	X					
Check the attachment screws		X				X
Test run						X

## Maintenance and care log

Device type: .....

Device number: .....

Maintenance and care interval	1	2	3	4	5	6	7	8	9	10	11	12	13	14	15	16
Check air inlets and outlets for dirt and foreign objects and clean if necessary																
Check air inlet grid(s) for dirt and foreign objects and clean if necessary																
Clean the exterior																
Visually check the inside of the device for dirt																
Check for damage																
Check the attachment screws																
Test run																
Comments																

1. Date: .....	2. Date: .....	3. Date: .....	4. Date: .....
Signature: .....	Signature: .....	Signature: .....	Signature: .....
5. Date: .....	6. Date: .....	7. Date: .....	8. Date: .....
Signature: .....	Signature: .....	Signature: .....	Signature: .....
9. Date: .....	10. Date: .....	11. Date: .....	12. Date: .....
Signature: .....	Signature: .....	Signature: .....	Signature: .....
13. Date: .....	14. Date: .....	15. Date: .....	16. Date: .....
Signature: .....	Signature: .....	Signature: .....	Signature: .....

**Activities required before starting maintenance**



**Warning of electrical voltage**

Do not touch the mains plug with wet or damp hands.

- Switch the device off.
- Hold onto the mains plug while pulling the power cable out of the mains socket.
- Allow the device to cool down completely.



**Warning of electrical voltage**

**Tasks which require the device to be opened must only be carried out by authorised specialist companies or by the manufacturer.**

**Cleaning the housing**



**Warning of electrical voltage**

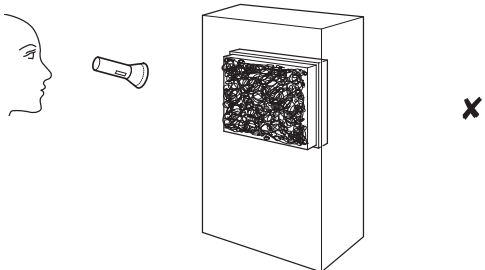
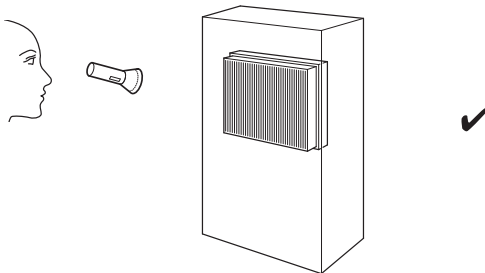
Never immerse the device in water!

Clean the housing with a soft, damp and lint-free cloth. Make sure that no moisture enters the housing. Protect electrical components from moisture. Do not use any aggressive cleaning agents such as cleaning sprays, solvents, alcohol-based or abrasive cleaners to dampen the cloth.

Wipe the housing dry after cleaning.

**Visual inspection of the inside of the device for dirt**

1. Use a torch to illuminate the openings of the device.
2. Check the inside of the device for dirt.
3. If you see a thick layer of dust, have the inside of the device cleaned by a specialist electrical company or by Trotec.

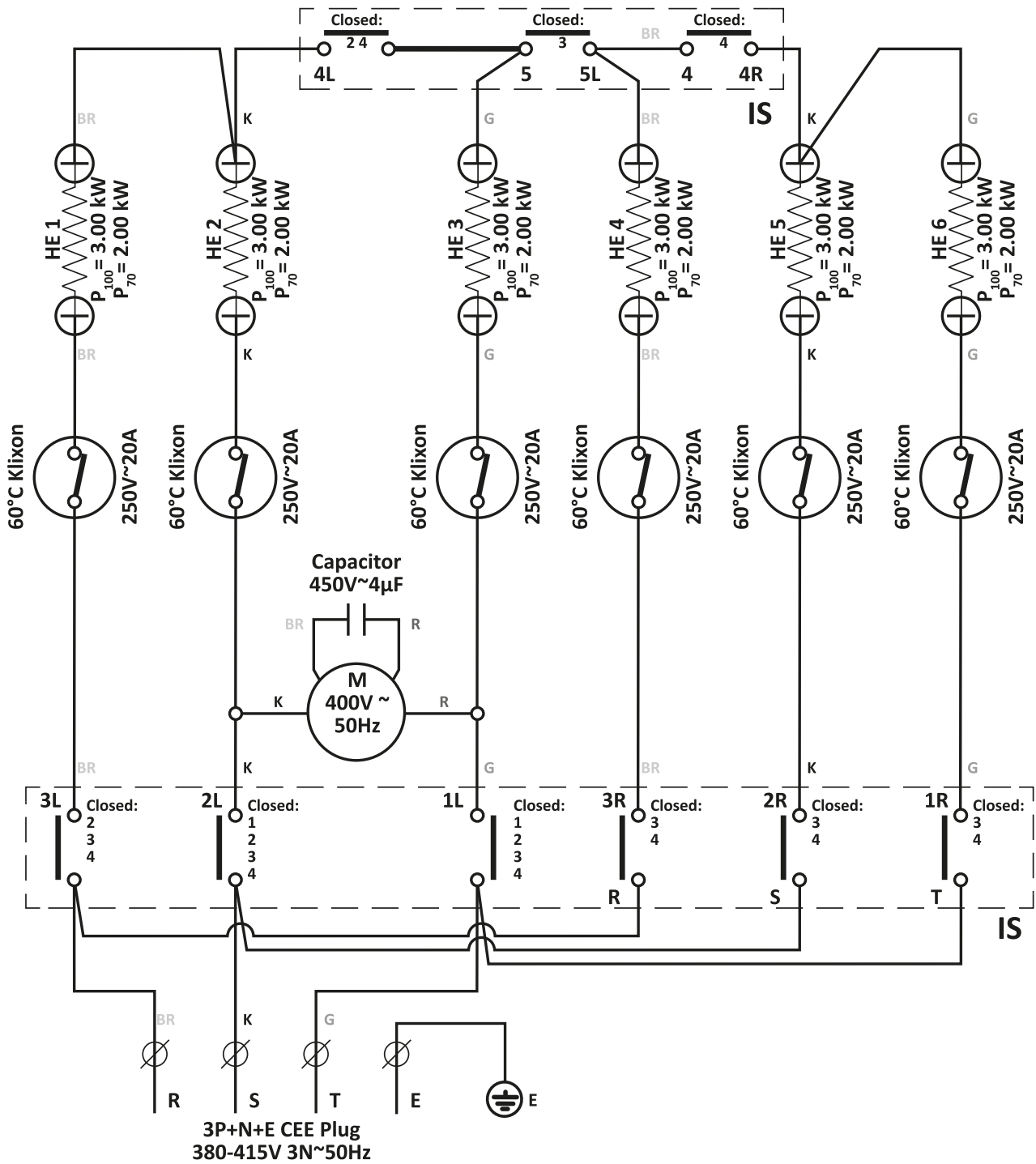


**Technical annex**

**Technical data**

Parameter	Value	
Model	TEH 70	TEH 100
Heating capacity	12 kW (6 – 9 – 12 kW)	18 kW (6 – 13.5 – 18 kW)
Air flow rate nominal: effective:	1258 m <sup>3</sup> /h 712 m <sup>3</sup> /h	1785 m <sup>3</sup> /h 1400 m <sup>3</sup> /h
Temperature increase ΔT	50 °C	38 °C
Power supply	380 – 415 V 3~ / 50 Hz	380 – 415 V 3~ / 50 Hz
Nominal current consumption	18.2 A	27.3 A
Sound pressure level (at a distance of 1 m)	72 dB(A)	73 dB(A)
Type of protection	IP13	IP13
Dimensions (length x width x height)	465 x 425 x 555 mm	465 x 425 x 555 mm
Minimum distance to walls and other objects	top (A): 50 cm rear (B): 50 cm sides (C): 50 cm front (D): 50 cm	50 cm 50 cm 50 cm 50 cm
Weight	27 kg	27.5 kg

Circuit diagram TEH 70 / TEH 100

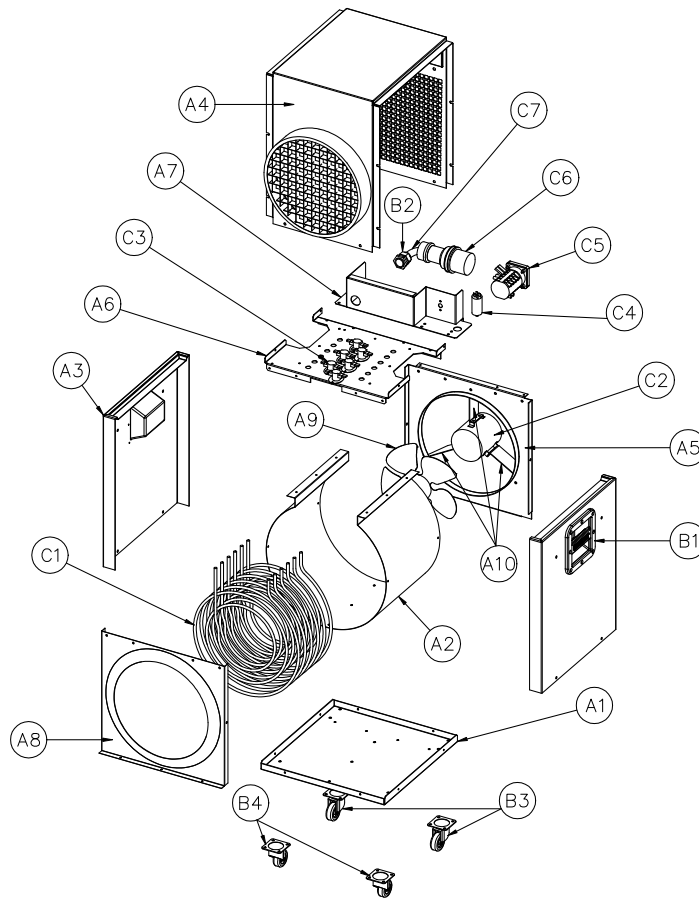


**Overview TEH 70 / TEH 100**



**Info**

The position numbers of the spare parts differ from those describing the positions of the components mentioned in these instructions.



**List of spare parts TEH 70 / TEH 100**

No.	Spare part	No.	Spare part
A1	Baseplate	B2	Cable Gland PG21
A2	Air flow duct	B3	Spinning Castor with Brake
A3	Yellow (RAL1021) Painted Side panel	B4	Loose Spinning Castor
A4	Black Painted Hood (Ø300mm Hose Connection)	C1	3kW Heating Element (TEH100) 2kW Heating Element (TEH70)
A5	Motor Fan Support	C2	Motor Fan
A6	Heating Element Base Plate	C4	4µF Starting Capacitor
A7	Black Painted Control Panel	C5	4 Positions 3ph. Cam Switch
A8	Air Outlet Protection Shield	C6	32A 3ph. Plug - IP44
A9	Ø300 Aluminium Fan Blade, Pitch 24° (TEH70) Ø300 Aluminium Fan Blade, Pitch 40° (TEH100)	C7	Supply Cable
A10	Motor Fan Brackets		
B1	ABS Trotec Grip		

## Disposal

Always dispose of packing materials in an environmentally friendly manner and in accordance with the applicable local disposal regulations.



The icon with the crossed-out waste bin on waste electrical or electronic equipment is taken from Directive 2012/19/EU. It states that this device must not be disposed of with the household waste at the end of its life. You will find collection points for free return of waste electrical and electronic equipment in your vicinity. The addresses can be obtained from your municipality or local administration. You can also find out about other return options that apply for many EU countries on the website <https://hub.trotec.com/?id=45090>. Otherwise, please contact an official recycling centre for electronic and electrical equipment authorised for your country.

The separate collection of waste electrical and electronic equipment aims to enable the re-use, recycling and other forms of recovery of waste equipment as well as to prevent negative effects for the environment and human health caused by the disposal of hazardous substances potentially contained in the equipment.

### Only for United Kingdom

According to Waste Electrical and Electronic Equipment Regulations 2013 (SI 2013/3113) (as amended) devices that are no longer usable must be collected separately and disposed of in an environmentally friendly manner.

## Declaration of conformity

Declaration of conformity in accordance with the EC Machinery Directive 2006/42/EC, Annex II, Part 1, Section A

We – Trotec GmbH – declare in sole responsibility that the product designated below was developed, constructed and produced in compliance with the requirements of the EC Machinery Directive in the version 2006/42/EC.

**Product model / Product:** TEH 70  
TEH 100

**Product type:** electric heater

**Year of manufacture as of:** 2024

### Relevant EU directives:

- 2011/65/EU
- 2012/19/EU
- 2014/30/EU
- 2015/863/EU

### Applied harmonised standards:

- EN 55014-1:2017  
EN 55014-1:2017/A11:2020
- EN 60335-1:2012  
EN 60335-1:2012/AC:2014  
EN 60335-1:2012/A11:2014  
EN 60335-1:2012/A13:2017  
EN 60335-1:2012/A15:2021

### Applied national standards and technical specifications:

- EN IEC 61000-3-2:2019
- EN 55014-2:2015
- EN 60335-2-30:2009/A1:2020
- EN 60335-2-30:2009/A2:2022
- EN 60335-2-30:2009/A11:2012
- EN 60335-2-30:2009/A12:2020
- EN 60335-2-30:2009/A13:2022
- EN 61000-3-3:2013/A1:2019

### Manufacturer and name of the authorised representative of the technical documentation:

Trotec GmbH  
Grebbeener Straße 7, D-52525 Heinsberg  
Phone: +49 2452 962-400  
E-mail: [info@trotec.de](mailto:info@trotec.de)

Place and date of issue:  
Heinsberg, 15.07.2024



Joachim Ludwig, Managing Director

Trotec GmbH

Grebener Str. 7  
D-52525 Heinsberg

☎ +49 2452 962-400

☎ +49 2452 962-200

✉ [info@trotec.com](mailto:info@trotec.com)

[www.trotec.com](http://www.trotec.com)